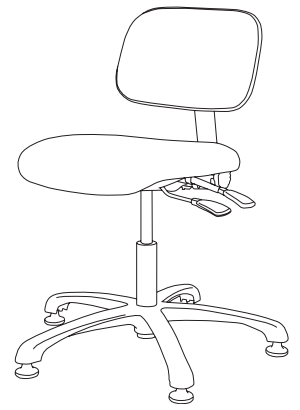




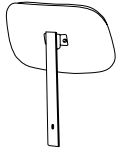
CHAIR ASSEMBLY INSTRUCTION GUIDE

for BEVCO WESTMOUND/DORAL CHAIRS

4000/5000/8000 Series Tilt Models



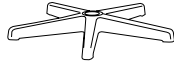
PARTS LIST



Backrest w/attached support bar (1)



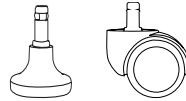
Seat w/control mechanism (1)



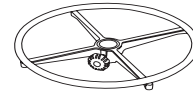
Five-star Base (1)



Pneumatic Cylinder (1)



Glides/Casters (5)

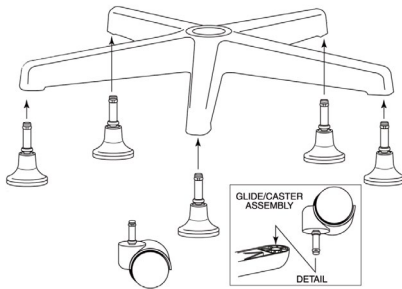


Footring (optional) (1)



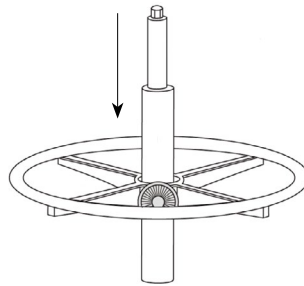
Armrests (optional) (2)

1



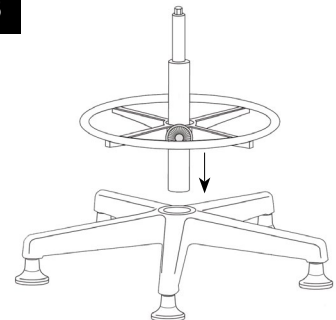
Insert glides or casters into each leg of the base.

2



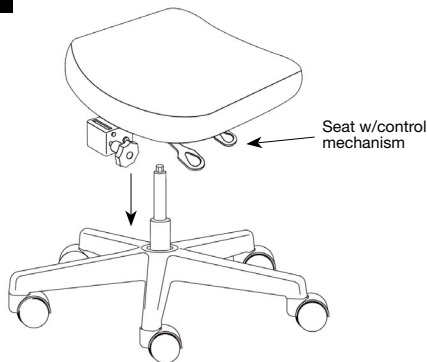
Slide footring (if enclosed) onto cylinder. Ensure the tubular ring faces upward. Tighten handwheel securely.

3



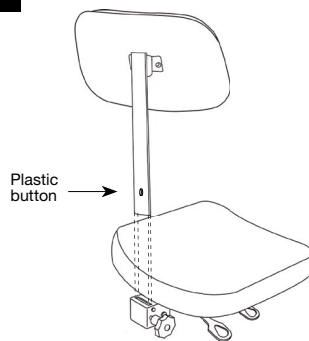
Slide the cylinder into the center of the base.

4



Place seat with control mechanism onto the end of the pneumatic cylinder. Sit on seat to secure fit onto cylinder.

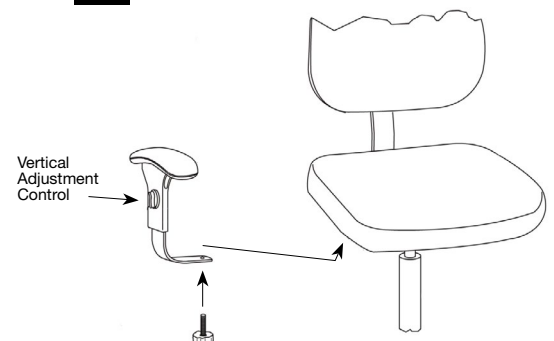
5



Remove plastic button from support bar connected to the backrest and slide the back support bar through the opening of the nylon insert on the control mechanism on back of seat. Tighten handwheel securely. Replace plastic button into hole in support bar.

6

OPTIONAL ARMREST ASSEMBLY



Optional arms available on Doral Chairs. Slide arm bracket into mounting plate attached underneath seat. Tighten handwheel securely.